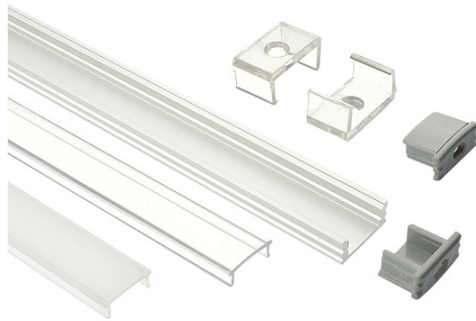




**DECORATIVE SLEEK DESIGN ALUMINUM PROFILE EXTRUSION**

**SLIM SURFACE W/LENS**

- USE FOR ALL TYPES LED STRIP LIGHT
- CUSTOM LENGTHS AVAILABLE

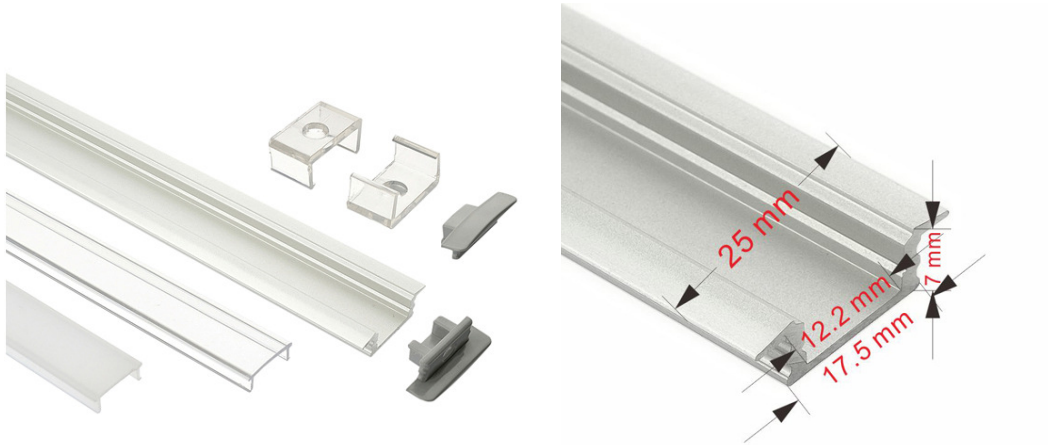


PART #	CLC/FX-EXTRN-301
LENGTH	46" / 96"
MATERIAL	ALUMINUM
FINISH	CLEAR ANODIZED
DIMENSION width/ height	7mm x17.5mm
Accessories	END CAPS / MOUNTING CLIPS
LENS	FROSTED
UNIT WEIGHT	160g



**DECORATIVE SLEEK DESIGN ALUMINUM PROFILE EXTRUSION**  
**RECESSED**

- USE FOR ALL TYPES LED STRIP LIGHT
- CUSTOM LENGTHS AVAILABLE



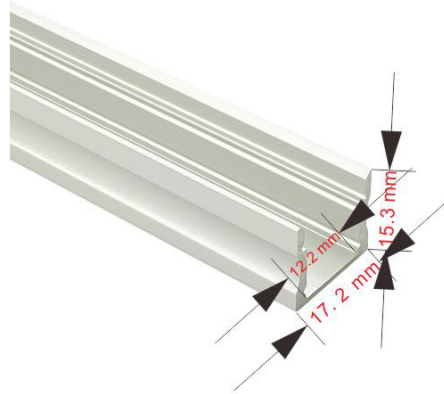
PART #	CLC/FX-EXTRN-302
LENGTH	46" / 96"
MATERIAL	ALUMINUM
FINISH	CLEAR ANODIZED
DIMENSION width/ height	17.5mm x7mm
Accessories	END CAPS / MOUNTING CLIPS
LENS	FROSTED
UNIT WEIGHT	145g



## DECORATIVE SLEEK DESIGN ALUMINUM PROFILE EXTRUSION

### SURFACE W/LENS

- USE FOR ALL TYPES LED STRIP LIGHT
- CUSTOM LENGTHS AVAILABLE



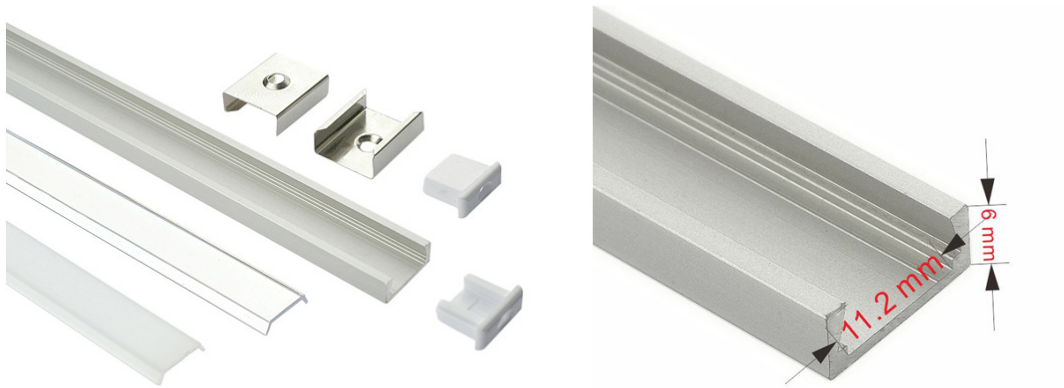
PART #	CLC/FX-EXTRN-306
LENGTH	46" / 96"
MATERIAL	ALUMINUM
FINISH	CLEAR ANODIZED
DIMENSION width/ height	17.2mm x15.3mm
Accessories	END CAPS / MOUNTING CLIPS
LENS	FROSTED
UNIT WEIGHT	185g



## DECORATIVE SLEEK DESIGN ALUMINUM PROFILE EXTRUSION

### SLIM SURFACE W/LENS

- USE FOR ALL TYPES LED STRIP LIGHT
- CUSTOM LENGTHS AVAILABLE



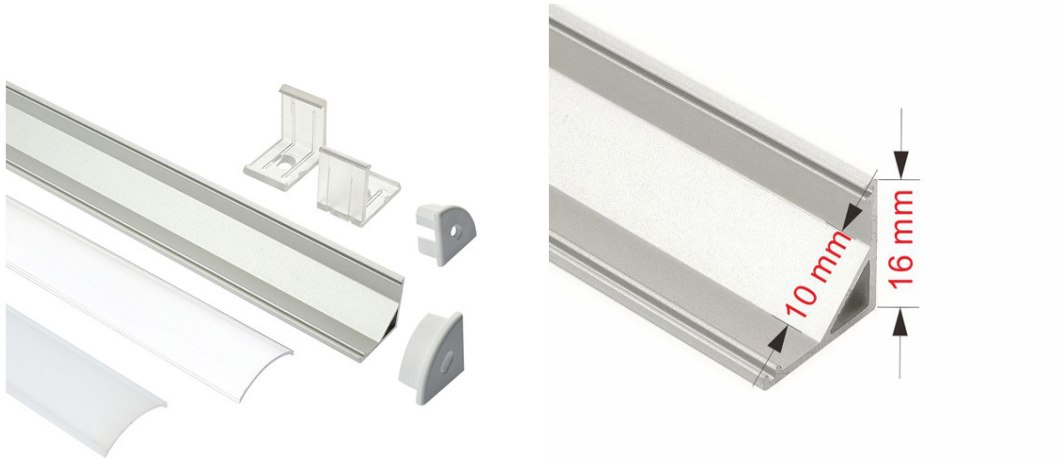
PART #	CLC/FX-EXTRN-307
LENGTH	46"
MATERIAL	ALUMINUM
FINISH	CLEAR ANODIZED
DIMENSION width/ height	15.2mm x6mm
Accessories	END CAPS / MOUNTING CLIPS
LENS	FROSTED
UNIT WEIGHT	160g



## DECORATIVE SLEEK DESIGN ALUMINUM PROFILE EXTRUSION

### CORNER W/CONVEX LENS

- USE FOR ALL TYPES LED STRIP LIGHT
- CUSTOM LENGTHS AVAILABLE

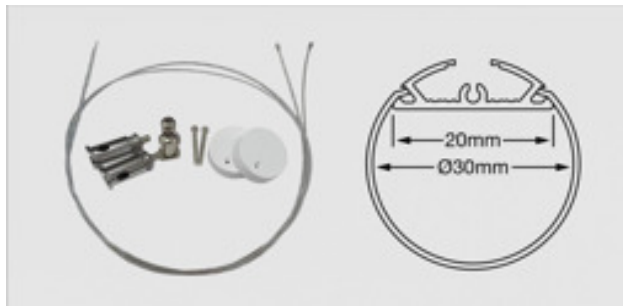


PART #	CLC/FX-EXTRN-308
LENGTH	46" / 96"
MATERIAL	ALUMINUM
FINISH	CLEAR ANODIZED
DIMENSION width/ height	16mm x16mm
Accessories	END CAPS / MOUNTING CLIPS
LENS	FROSTED CONVEX
UNIT WEIGHT	220g



**DECORATIVE SLEEK DESIGN ALUMINUM PROFILE EXTRUSION**  
**SURFACE MOUNT ROUND W LENS**

- USE FOR ALL TYPES LED STRIP LIGHT
- CUSTOM LENGTHS AVAILABLE



[creativelightconcepts.com](http://creativelightconcepts.com)

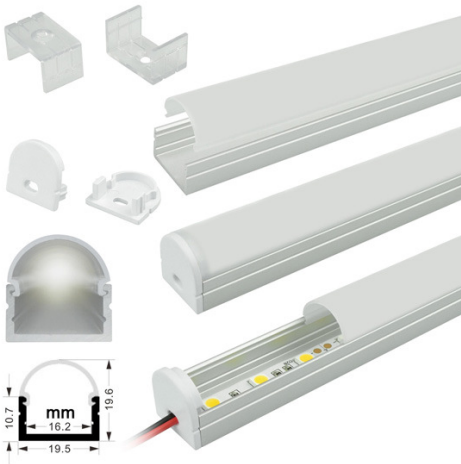
10-146 Citation dr. Concord , ON L4K 2S8

PART #	CLC/FX-EXTRN-310
LENGTH	96"
MATERIAL	ALUMINUM
FINISH	CLEAR ANODIZED
DIMENSION width/ height	30mmD x 20mm
Accessories	END CAPS / MOUNTING CLIPS
LENS	FROSTED HALF MOON
UNIT WEIGHT	185g



**DECORATIVE SLEEK DESIGN ALUMINUM PROFILE EXTRUSION**  
**SURFACE W/ CONVEX HALF MOON LENS**

- USE FOR ALL TYPES LED STRIP LIGHT
- CUSTOM LENGTHS AVAILABLE



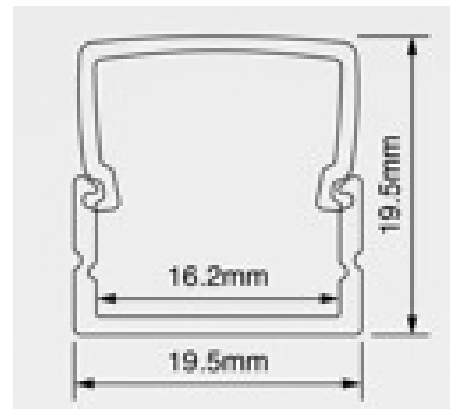
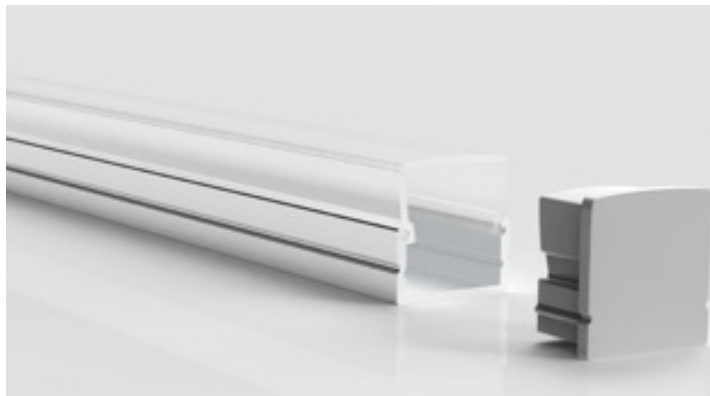
PART #	CLC/FX-EXTRN-311
LENGTH	96"
MATERIAL	ALUMINUM
FINISH	CLEAR ANODIZED
DIMENSION width/ height	19.6mm x19.5mm
Accessories	END CAPS / MOUNTING CLIPS
LENS	FROSTED HALF MOON
UNIT WEIGHT	185g



## DECORATIVE SLEEK DESIGN ALUMINUM PROFILE EXTRUSION

### SURFACE MOUNT W/ LENS

- USE FOR ALL TYPES LED STRIP LIGHT
- CUSTOM LENGTHS AVAILABLE



PART #	CLC/FX-EXTRN-312
LENGTH	46"
MATERIAL	ALUMINUM
FINISH	CLEAR ANODIZED
DIMENSION width/ height	19.5mm sq
Accessories	END CAPS / MOUNTING CLIPS
LENS	FROSTED
UNIT WEIGHT	390g

[creativelightconcepts.com](http://creativelightconcepts.com)

10-146 Citation dr. Concord , ON L4K 2S8

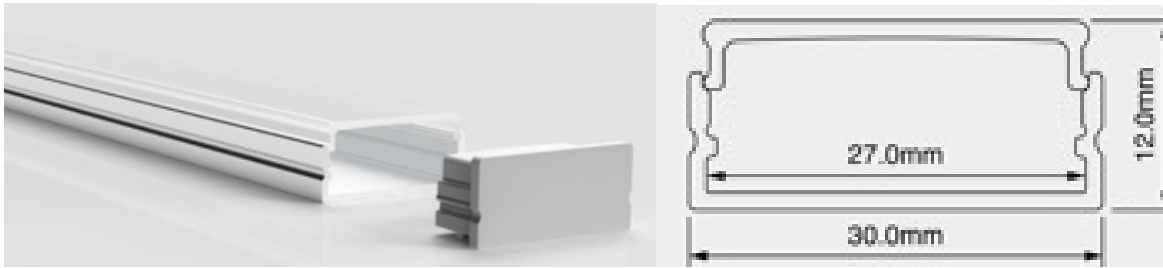





---

## DECORATIVE SLEEK DESIGN ALUMINUM PROFILE EXTRUSION SURFACE MOUNT FOR DOUBLE STRIP

- USE FOR ALL TYPES LED STRIP LIGHT
- CUSTOM LENGTHS AVAILABLE



PART #	CLC/FX-EXTRN-313
LENGTH	46"
MATERIAL	ALUMINUM
FINISH	CLEAR ANODIZED
DIMENSION width/ height	30mmW x12mmH
Accessories	END CAPS / MOUNTING CLIPS
LENS	FROSTED
UNIT WEIGHT	168g

[creativelightconcepts.com](http://creativelightconcepts.com)

10-146 Citation dr. Concord , ON L4K 2S8

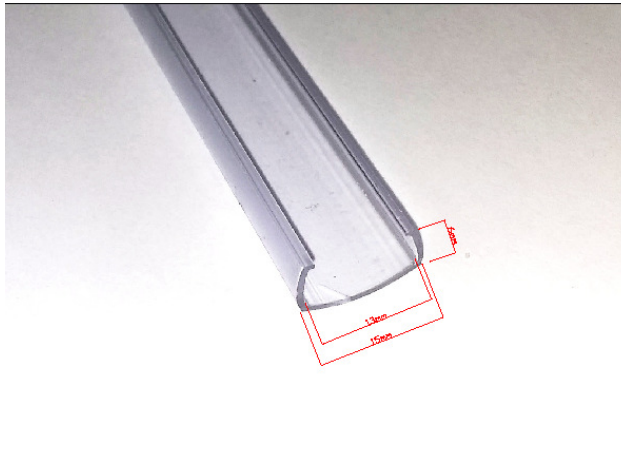


---

## SLEEK DESIGN PLASTIC PROFILE EXTRUSION

### SLIM SURFACE MOUNT

- USE FOR CLC 120V STRIP LIGHT



PART #	CLC/FX-EXTRN-PLS83
LENGTH	1 METRE
MATERIAL	PLASTIC
FINISH	CLEAR
DIMENSION width/ height	6mm x13mm
Accessories	
LENS	N/A
UNIT WEIGHT	N/A